



The World's Best Selling
Food Waste Disposers!



ADVANCED TECHNOLOGY

QUICKLOCK™ SINK MOUNT

"twist-on, twist-off" sink mount makes installation fast and easy.

SOUNDSEAL™ TECHNOLOGY

Anti-Vibration Mount™ Quiet Collar™ & Sound Limiter™ insulation technology.

MULTIGRIND™ TECHNOLOGY

3-stage design makes quick work of both hard and fibrous foods.

DURADRIVE™ INDUCTION MOTOR

Powerful, heavy-duty motors ensure high performance and long life.

POWERBOOST™ MICRO PROCESSOR

Delivers more power to boost the grinding capability.

W
WATERMARK
CERTIFIED & AUTHORISED
All our Food Waste Disposers pass the WaterMark test!

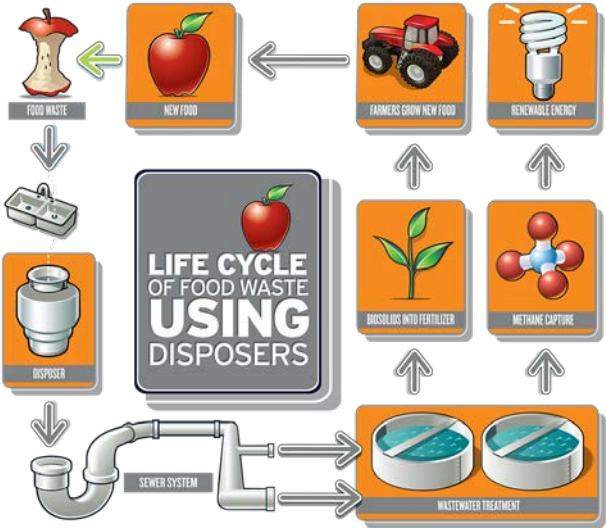
Cut-away of Model Evolution 200.

SAFE ON THE SEPTIC

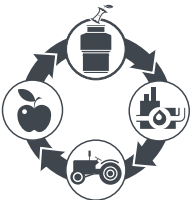
InSinkErator Food waste disposers have always been safe for properly sized septic systems. For example, if your system is sized for a dishwasher or clothes washer, it can handle a disposer. After all, a disposer uses only about as much water per day as one flush of a toilet.

ENVIRONMENTAL BENEFITS

Each year in New Zealand, tonnes of food waste is trucked to landfills. Once there, it quickly decomposes and produces methane, an environmentally harmful greenhouse gas at least 21 times more potent than CO2. Our food waste disposers provide a convenient and environmentally friendly alternative to transporting leftovers to landfills. Plus, capable wastewater treatment plants can even recycle food scraps into energy and fertilizer.



Description of wastewater treatment plant with anaerobic digestion, co-generation and beneficial reuse of bio-solids.



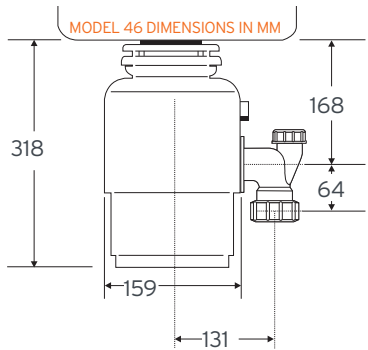
**FEED A DISPOSER.
STARVE A LANDFILL.**



MODEL 46

FOOD WASTE DISPOSER

The entry level InSinkErator model, suitable for lighter use in smaller households.



InSinkErator reserves the right to change product specifications without prior notice. The disposers described are for household use. Usage in commercial situations is not covered by warranty.



BASIC SOUND REDUCTION TECHNOLOGY



AIR SWITCH

AIR SWITCH KIT AVAILABLE (33MM HOLE FOR BUTTON)



1 STAGE GRINDING SYSTEM



0.55HP DURA-DRIVE™ HEAVY DUTY INDUCTION MOTOR



GRIND CHAMBER 980ML CAPACITY



2 YEAR GUARANTEE

2 YEAR WARRANTY



QUICKLOCK™ SINK MOUNT FOR EASY INSTALLATION



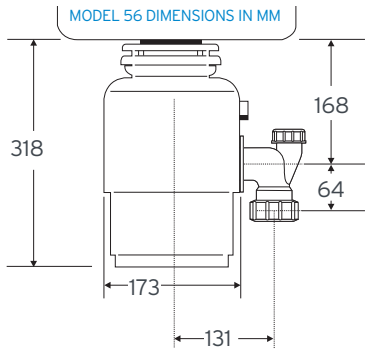
MADE IN THE USA



MODEL 56

FOOD WASTE DISPOSER

This mid-range model is perfect for regular use in smaller households.



InSinkErator reserves the right to change product specifications without prior notice. The disposers described are for household use. Usage in commercial situations is not covered by warranty.



BASIC SOUND REDUCTION TECHNOLOGY



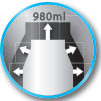
0.55HP DURA-DRIVE™ HEAVY DUTY INDUCTION MOTOR



1 STAGE STAINLESS GRINDING SYSTEM



QUICKLOCK™ SINK MOUNT FOR EASY INSTALLATION



STAINLESS STEEL GRIND CHAMBER 980ML CAPACITY



3 YEAR WARRANTY



BUILT-IN AIR SWITCH (33MM HOLE FOR BUTTON)



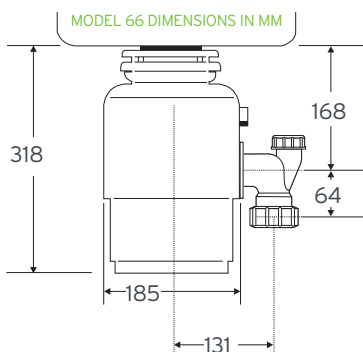
MADE IN THE USA



MODEL 66

FOOD WASTE DISPOSER

The top model in our standard range, offering high performance, continuous feed operation and able to handle a wide variety of food waste.



InSinkErator reserves the right to change product specifications without prior notice. The disposers described are for household use. Usage in commercial situations is not covered by warranty.



BASIC SOUND REDUCTION TECHNOLOGY



1 STAGE STAINLESS GRINDING SYSTEM



STAINLESS STEEL GRIND CHAMBER
980ML CAPACITY



BUILT-IN AIR SWITCH
(33MM HOLE FOR BUTTON)



0.75HP DURA-DRIVE™
HEAVY DUTY
INDUCTION MOTOR



QUICKLOCK™
SINK MOUNT FOR
EASY INSTALLATION



4 YEAR WARRANTY



MADE IN THE USA

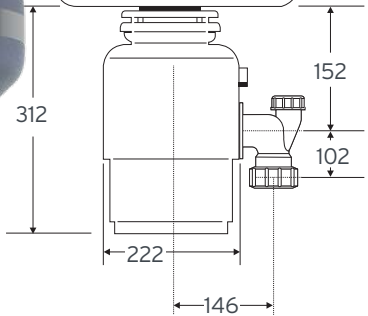
EVOLUTION[®] 100

TECHNOLOGY

Featuring two-stage grinding combined with SoundSeal™ Plus technology, the Evolution 100 is more powerful and quieter than our standard range. It virtually grinds any food waste, including difficult items such as bones and potato peel.



EVO100 DIMENSIONS IN MM



InSinkErator reserves the right to change product specifications without prior notice. The disposers described are for household use. Usage in commercial situations is not covered by warranty.



SOUNDSEAL PLUS™
EVOLUTION QUIETER
TECHNOLOGY



MULTIGRIND PLUS™
2 STAGE STAINLESS
GRINDING SYSTEM WITH
AUTO REVERSE ACTION



STAINLESS STEEL
GRINDING CHAMBER
1005ml LARGE CAPACITY



BUILT-IN AIR SWITCH
(33MM HOLE FOR BUTTON)



0.75HP DURA-DRIVE™
HEAVY DUTY
INDUCTION MOTOR



QUICKLOCK™
SINK MOUNT FOR
EASY INSTALLATION



5 YEAR WARRANTY



MADE IN THE USA

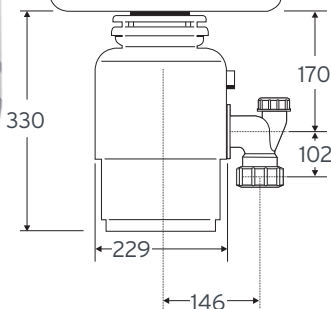
EVOLUTION[®] 200

TECHNOLOGY

The Evolution 200 with its three stage grind technology & SoundSeal™ Plus, makes it our most powerful & quietest model. Don't worry about what you can and can't grind... the Evolution 200 grinds all food waste.



EVO200 DIMENSIONS IN MM



InSinkErator reserves the right to change product specifications without prior notice. The disposers described are for household use. Usage in commercial situations is not covered by warranty.



BUILT-IN AIR SWITCH
(33MM HOLE FOR BUTTON)



SOUNDSEAL PLUS™
EVOLUTION ULTRA-QUIET
TECHNOLOGY



0.75HP DURA-DRIVE™
HEAVY DUTY
INDUCTION MOTOR



MULTIGRIND PLUS™
3 STAGE STAINLESS
GRINDING SYSTEM WITH
AUTO REVERSE ACTION



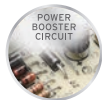
QUICKLOCK™
SINK MOUNT FOR
EASY INSTALLATION



STAINLESS STEEL
GRINDING CHAMBER
1180ml LARGE CAPACITY



10 YEAR WARRANTY



MICRO PROCESSOR
FOR POWER TO BOOST
GRINDING CAPABILITY



MADE IN THE USA

A LITTLE HISTORY



1927

Tinkering with an idea and some sheet metal, Racine architect John W. Hammes invents the first food waste disposer.

The 1930s

In 1935, after eight years of design refinement, he obtains U.S. Patent for his new-fangled food waste disposer.



The 1940s

Bob Cox, vice president of sales sold disposers to plumbers instead of appliance dealers and by 1952 he pitched the product out of pink Pontiac.



The 1950s

As television came of age, so did television advertising. And InSinkErator used the power of celebrity endorsements of George Burns, Barbara Walters, and later Phyllis Diller.

The 1960s

Emerson Electric Co. purchases InSinkErator.



The 1970s

InSinkErator started producing Trash Compactor and Hot Water Dispensers.



The 1990s

New York City Department of Environmental Study concluded a two-year analysis, and approved the use of food waste disposers.

2000 and beyond

InSinkErator launched the Evolution Series®. With the new series came advanced sound, grind, anti-jam and antivibration technologies.

DISPOSER ACCESSORIES

InSinkEerator have a range of accessories for the Food Waste Disposers to customise the sink and colour match bench-tops.

Air Switch Covers



White Finish



Matte Black Finish



Gold Finish



Mocha Finish

Stoppers



White Finish



Matte Black Finish



Gold Finish



Mocha Finish

Sink Flanges



White Finish



Matte Black Finish



Gold Finish



Square Waste Sink Adapter

Strainers



Evolution Strainer Plug

InSinkEerator Evolution Strainer plug to suit the following disposers: EVO200, EVO100, 66.

Silver Saver Strainer

A strainer that stops cutlery going down the drain. Designed to suit the following disposers EVO200, EVO100, 66, 56, 46.



Air Switches



Air Switch Switching Kit

Replacement Air Switch Single Touch button for all InSinkEerator models 45, 46, 55. Contains Button, Hose, Power cord & Plug. Brushed Steel also included.



Air Switch Kit

Replacement Air Switch Button for all InSinkEerator models 65, 66, EVO100, EVO200. Contains Button and Hose.

NB : For Models ID55, ID45, E20, button can only be used if an existing power pack is in place.